

**PLEASE CHECK WWW.MOLEX.COM FOR LATEST PART INFORMATION**

**Part Number:** **0194280003**  
**Status:** **Active**  
**Description:** 5.84mm (.230") Pitch MX150L™ Vertical PCB Header, Dual Row, Standard Profile, 8 Circuits

**Documents:**

[3D Model](#) [Product Specification PS-19427-001 \(PDF\)](#)  
[Drawing \(PDF\)](#) [RoHS Certificate of Compliance \(PDF\)](#)

**Agency Certification**

UL E152602

**General**

Product Family PCB Headers  
 Series [19428](#)  
 Application Wire-to-Board  
 Comments Standard Profile  
 Product Literature Order No 987650-2181  
 Product Name MX150L™

**Physical**

Breakaway No  
 Circuits (Loaded) 8  
 Circuits (maximum) 8  
 Durability (mating cycles max) 25  
 Flammability 94V-0  
 Glow-Wire Compliant No  
 Lock to Mating Part Yes  
 Material - Plating Mating Tin  
 Material - Plating Termination Tin  
 Number of Rows 2  
 Orientation Vertical  
 PC Tail Length (in) 0.130 In  
 PC Tail Length (mm) 3.30 mm  
 PCB Locator Yes  
 PCB Retention None  
 PCB Thickness Recommended (in) 0.062 In  
 PCB Thickness Recommended (mm) 1.60 mm  
 Packaging Type Tray  
 Pitch - Mating Interface (in) 0.230 In  
 Pitch - Mating Interface (mm) 5.84 mm  
 Polarized to Mating Part Yes  
 Polarized to PCB Yes  
 Shrouded Fully  
 Stackable No  
 Surface Mount Compatible (SMC) No  
 Temperature Range - Operating -40°C to +125°C  
 Termination Interface: Style Through Hole

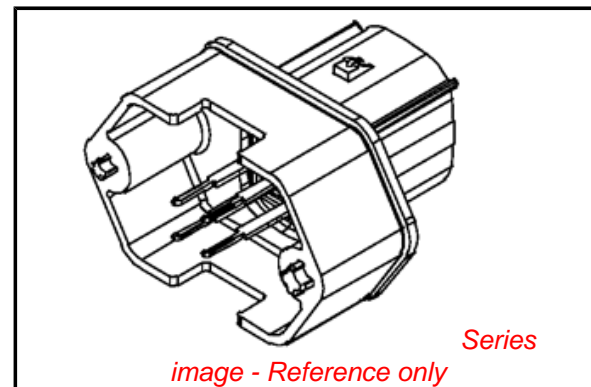
**Electrical**

Current - Maximum per Contact 18A  
 Voltage - Maximum 600V

**Material Info**

**Reference - Drawing Numbers**

Product Specification PS-19427-001



**EU RoHS**

**ELV and RoHS Compliant**  
**REACH SVHC**  
 Not Reviewed  
**Halogen-Free Status**  
 Not Reviewed

**China RoHS**



**Need more information on product environmental compliance?**

Email [productcompliance@molex.com](mailto:productcompliance@molex.com)  
 For a multiple part number RoHS Certificate of Compliance, [click here](#)

Please visit the [Contact Us](#) section for any non-product compliance questions.

**Search Parts in this Series**

[19428Series](#)

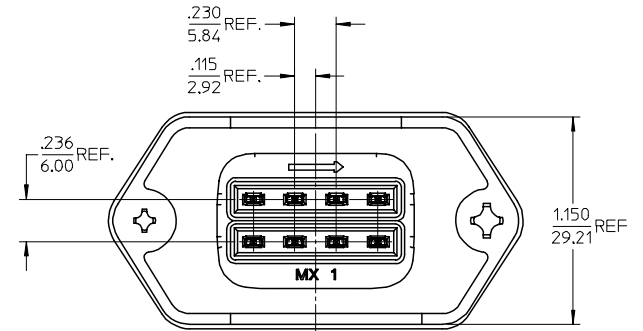
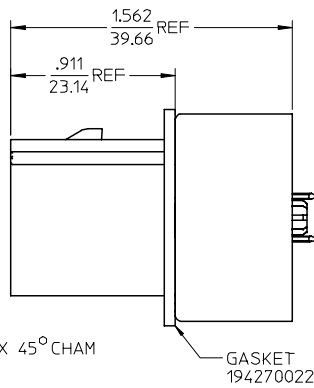
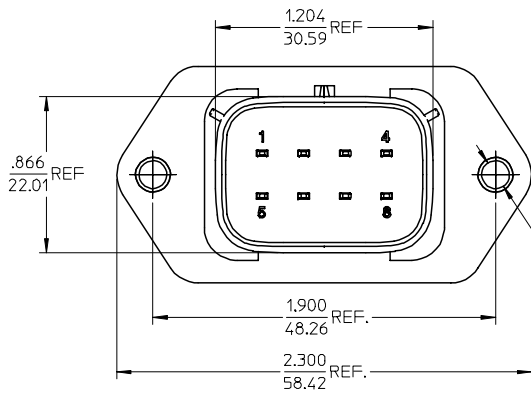
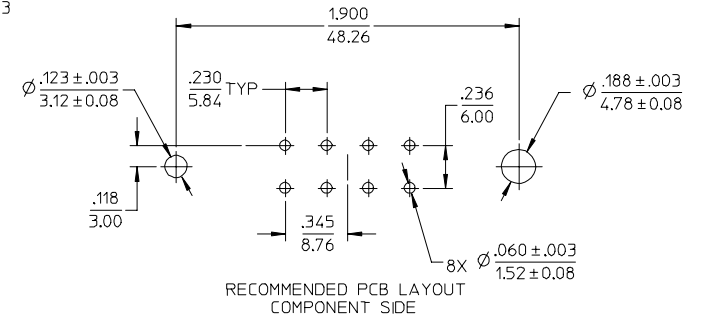
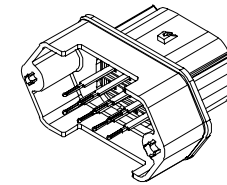
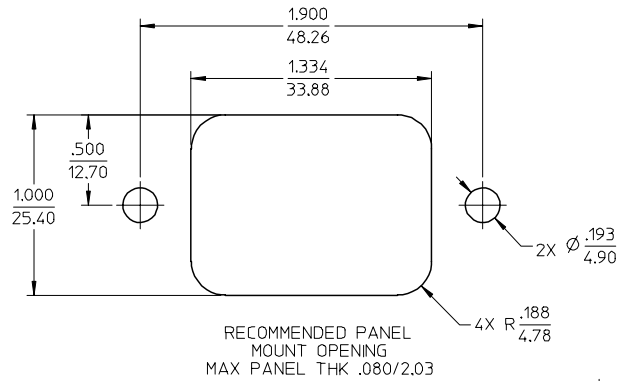
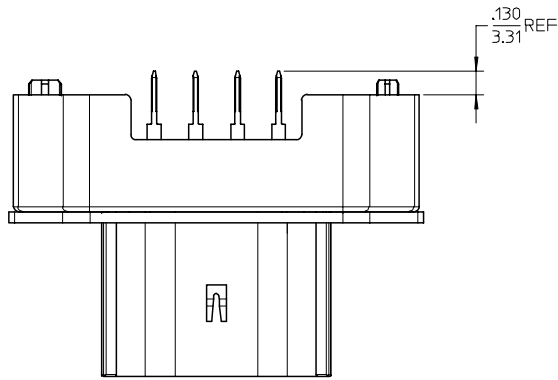
**Mates With**

[19418 Receptacle Assemblies](#)

This document was generated on 04/05/2010

**PLEASE CHECK [WWW.MOLEX.COM](http://WWW.MOLEX.COM) FOR LATEST PART INFORMATION**

ASSEMBLY MATERIAL NUMBER	TERMINAL PLATING
194280003	TIN
194280021	TIN/GOLD



NOTES:

- MATERIALS:  
HOUSING: POLYESTER (PBT), GLASS FILLED, UL94 V-0,  
COLOR: BLACK  
TERMINALS: COPPER ALLOY
- FINISHES: 1. TIN ONLY: 100µM TIN OVER 50µM NICKEL  
2. TIN/GOLD: 30µM SELECT GOLD (CONTACT MATING AREA),  
100µM SELECT TIN (PCB TAIL AREA) OVER 50µM NICKEL OVERALL.
- PRODUCT SPECIFICATION: PS-19428-001.
- PACKAGING SPECIFICATION: PK-19428-001.
- MATES WITH: 19418 SERIES RECEPTACLE ASSEMBLIES.
- RECOMMENDED MOUNTING HARDWARE: (2) #10 X .62/18.9 LONG PLASTIC  
THREAD CUTTING SCREWS. RECOMMENDED TORQUE 15-17 IN-LBS.  
SUGGESTED SOURCE: ITW SHAKEPROOF INDUSTRIAL BOSSCREW OR EQUIVALENT.

REVISED EFC NO: ETC2006-0028 2005/10/10 DRAWN: JPAWL CK 2005/10/11 CHKD: JPAWL CK 2005/10/11 APPR: RDEROSS 2005/10/11	DESCRIPTION	QUALITY SYMBOLS	GENERAL TOLERANCES (UNLESS SPECIFIED)	DIMENSION STYLE	SCALE	DESIGN UNITS	THIRD ANGLE PROJECTION
		▽=0	mm INCH	IN/MM	2:1	INCH	☉
		▽=0	4 PLACES ± --- ± ---	DRAWN BY DATE	TITLE		
			3 PLACES ± --- ± .015	DMYRICK 04/07/02	8-WAY STRAIGHT HEADER ASSEMBLY, LONG VERSION		
	2 PLACES ± 0.38 ± ---	CHECKED BY DATE	MOLEX INCORPORATED				
	1 PLACE ± --- ± ---	JPAWL CK 04/07/02	MATERIAL NO. DOCUMENT NO.				
	ANGULAR ± 1 °	APPROVED BY DATE	SD-19428-013				
		RDEROSS 04/07/02	SHEET NO.				
			1 OF 1				
			THIS DRAWING CONTAINS INFORMATION THAT IS PROPRIETARY TO MOLEX INCORPORATED AND SHOULD NOT BE USED WITHOUT WRITTEN PERMISSION				